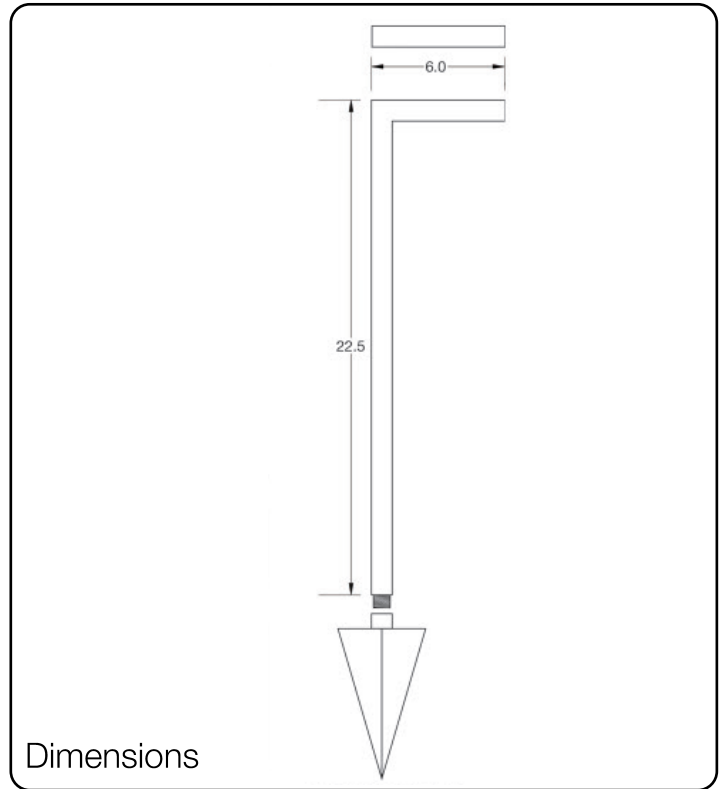


Model PL24.xxx.500



PL24.250.500 Clay finish shown



Dimensions

Construction

- 24.0" height x 6.0" width x 1.0" depth
- Fixture constructed from 1.0" square tube
 - Solid Copper or Brass .090 thick
 - Stainless Steel 18g alloy 304 with polyester coating
 - Aluminum .090 thick alloy 60061T
- Stainless Steel 304 integrated reflector
- 1/2" male thread adapter
- Stainless Steel spade stake included
- UL 1838 Listed Product



Electrical



- 3.0 watt LED package
- 3000K white output
- Filters available for 2700K or 4200K output
- Life expectancy up to 40,000 hours
- Output similar to 15.0 watts
- Lumen output 180
- Fully dimmable LEDs
- Low voltage 12vAC operation
- Compatible with all low voltage lighting systems
- 72" long 18/2 leads for connection
- Magnetic or electronic transformer compatible



19 Finishes

