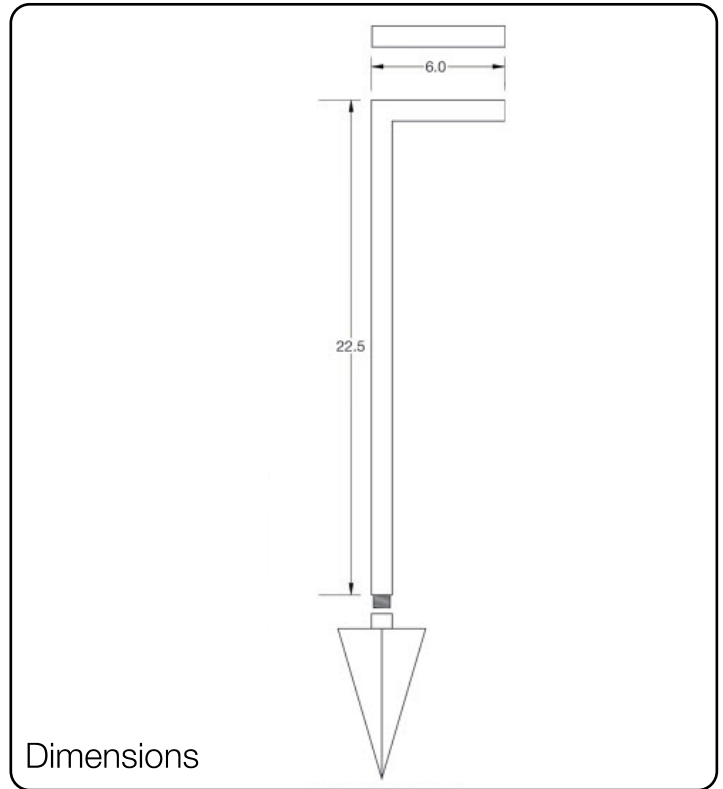


Model PL24.xxx



PL24.225 Bronze finish shown



Dimensions

Construction

- 24.0" height x 6.0" width x 1.0" depth
- Fixture constructed from 1.0" square tube
 - Solid Copper or Brass .090 thick
 - Stainless Steel 18g alloy 304 with polyester coating
 - Aluminum .090 thick alloy 60061T
- Stainless Steel 304 integrated reflector
- 1/2" male thread adapter
- Stainless Steel spade stake included
- UL 1838 Listed Product



Electrical

- 18 watt Long Life Xenon bulb included
- Nylon wedge base socket with brass contacts
- 72" long 18/2 leads for connection
- Low voltage 12vAC operation
- Compatible with all low voltage lighting systems
- Lower wattage lamp may be used
- Fully dimmable



MANUFACTURED in U.S.A.

19 Finishes

